



ENGINE TIER 4 INTERIM

Make and modelHino Motors,JO5E-TI
 Engine Power (ISO 14396).....124 kW (166 hp)
 Maximum torque.....660 Nm (1600 rpm)
 Type Water-cooled, direct injection type
 diesel engine with intercooler turbo-charger electric common-rail
 Displacement.....5.12 l
 N. of cylinders.....4
 Bore x stroke.....112 x 130 mm

I.N.D.R. Integrated Noise&Sust Reduction Cooling System

Electronic engine rpm control, dial type

Auto-Idling selector returns engine to minimum rpm when all controls are in neutral position

The engine complies with 97/68/EC standards stage 3B (Tier4 interim)



ELECTRICAL SYSTEM

Voltage24V
 Alternator50 A
 Starter motor5 kW
 Standard maintenance-free batteries2
 Capacity.....92 Ah



TRANSMISSION

Typehydrostatic, two-speed, Automatic DownShift
 Travel motors axial piston type, double displacement
 Brakes..... automatic discs type
 Final drive..... oil bath, planetary reduction
 Gradeability70% (35°)
 Travel speeds:from 0 to 3.6 km/h (low) / from 0 to 6 km/h (high)
 Drawbar pull227 kN



UNDERCARRIAGE

X-frame undercarriage design
 Reinforced track chain with sealed bushing

	STD	LC
Track rollers (each side)	7	8
Carrier rollers (each side)	2	2
Length of track on ground (mm)	3370	3660
Gauge (mm)	2200	2390
Shoes (mm)	600-700-800	600-700-800

Shoe type Tractor type triple grouser shoe
 No. for each side.....49
 Height of grouser shoe.....25 mm



HYDRAULIC SYSTEM

High capacity double pumps with electronic delivery adjustment.
 Variable displacement pistons pumps revert in neutral automatically to zero. Main Control Valve with Fail Safe Function and Anti drift valve.

H.A.O.A. (Hydrotronic Active Operation Aid)

E.S.S.C. (Engine Speed Sensing Control)

D.O.C. (Dipperstick Optimized Control)

“Power Boost” device

New generation A.E.P. (Advanced Electronic Processor)

3 working Modes

H Mode - Heavy duty excavation work

S Mode - Standard digging and loading work

E Mode - Fuel Economy

Attachments Modes

Breaker (One-way hydraulic flow)

Nibbler (Two-way hydraulic flow)

Attachments flow and pressure setting from cab, 20 presets storage

Hydraulic pump

Max flow at rated engine speed.....2 x 220 l/min

Piloting circuit gear type pump..... max 20 l/min

Directional control valves

Type.....8-spool valve

System Pressures

Boom, Arm&Bucket34.3 MPa

with Power Boost37.8 MPa

Travel34.3 MPa

Swing29 MPa

Pilot control Circuit.....5 MPa



CAPACITIES

Engine oil20.5 l

Fuel tank330 l

Hydraulic system (incl. 114 l tank)230 l

Cooling system.....24 l



SWING

Swing motor.....axial piston type

Swing brake.....hydraulic brake

Swing speed.....13.3 rpm



CAB AND CONTROLS

Operator's cab

Structure Fully enclosed steel structure

EVO operator cabine..... evolution in comfort and safety compliant to

ROPS (ISO 12117-2) and FOPS (ISO 10262 level II) standards

Rear camera..... standard

Monitor..... integrated multi-function control monitor with integrated

rear view camera display

Operator's seat

Operator's seat Adjustable and reclining device

Operation

Travel Two hand levers or two foot pedals for

forward and backward operations of each track independently

Excavating and swing Two hand levers for four operations

Sound Level

External guaranteed sound level

(EU Directive 2000/14/EC) LwA 95 dB(A)

Operator cab sound pressure level (ISO 6396) LpA 67 dB(A)

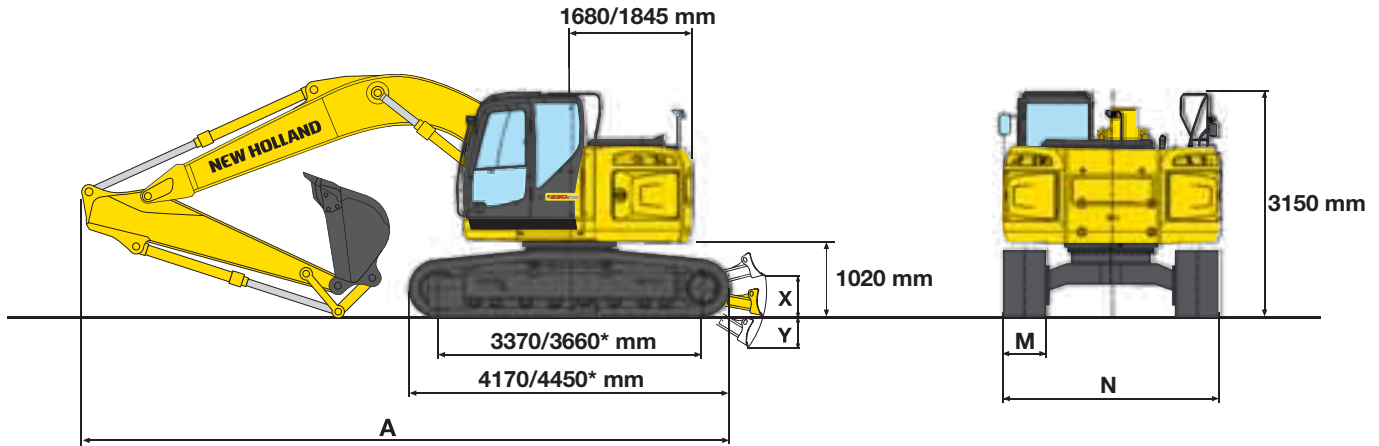


BUILT AROUND YOU

E230 CSR

DIMENSIONS - MONOBOOM

Boom length 5620 mm



* LC version

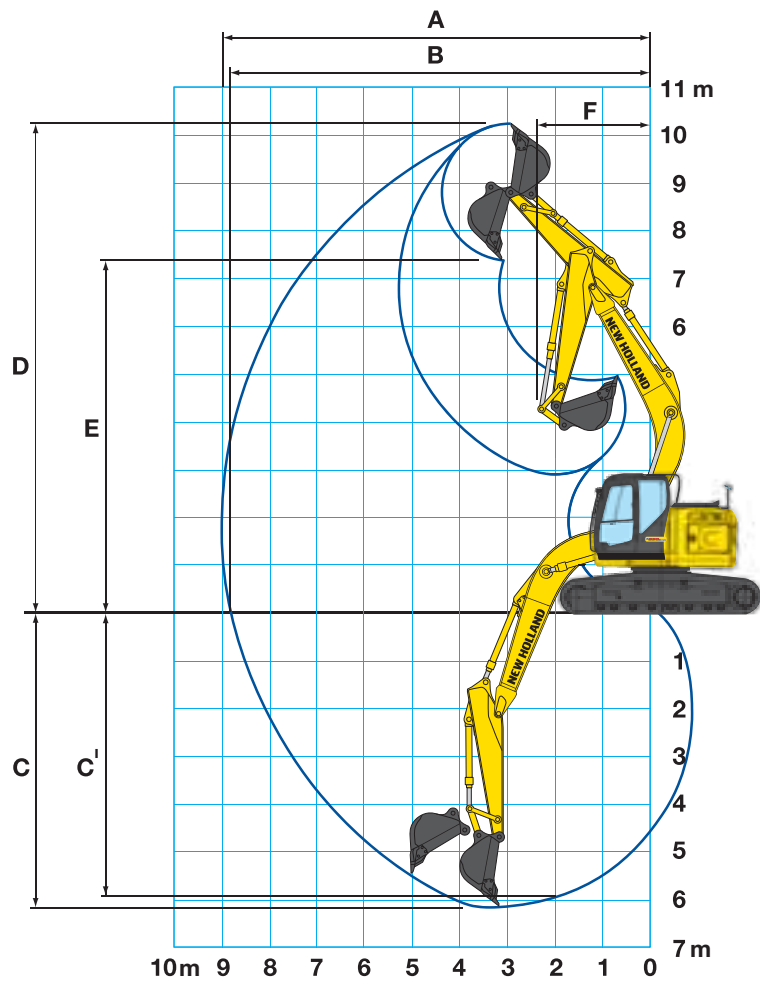
ARM		STD 2870	LCVERSION 2870
A - Overall length	mm	8680	8830

OPERATING WEIGHT - MONOBOOM

		STD			LCVERSION		
M - Shoe width	mm	600	700	800	600	700	800
N - Maximum width	mm	2800	2900	3000	2990	3090	3190
Operating weight**	Kg	22500	22700	23000	22700	23100	23400
Ground pressure	bar	0.51	0.45	0.40	0.48	0.42	0.37
Blade width	mm	2800	2990	2990	2990	-	-
Blade height	mm	685	680	680	680	-	-
Blade weight	Kg	1650	1680	1680	1680	-	-
X - Blade max lift	mm	540	540	540	540	-	-
Y - Blade max dig	mm	370	370	370	370	-	-

** 2870 mm arm, Without blade (optional) and additional counterweight (optional)

DIGGING PERFORMANCE



ARM		2870
A - Max. digging reach	mm	9710
B - Max. digging reach at ground level	mm	9530
C - Max. digging depth	mm	6590
C' - 2,4 mt level digging depth	mm	6380
D - Max. digging height	mm	10570
E - Max. dumping clearance	mm	7700
F - Min. swing radius	mm	2290

BREAKOUT FORCE

Bucket	daN	12400
Dipperstick	daN	8800

WITH "POWER BOOST" ON

Bucket	daN	13600
Dipperstick	daN	9680

PARTS AND SERVICE

The New Holland dealer network is, in itself, the best guarantee of continued productivity for the machines it delivers to its customers. New Holland service technicians are fully equipped to resolve all maintenance and repair issues, with each and every service point providing the high standards they are obliged to observe under New Holland's stringent quality guidelines. The New Holland global parts network ensures fast, reliable, replacement parts for less downtime, increased productivity and, of course, profitable operation for its customers.



AT YOUR OWN DEALERSHIP

The information contained in this brochure is intended to be of general nature only. The NEW HOLLAND KOBELCO CONSTRUCTION MACHINERY S.p.A. company may at any time and from time to time, for technical or other necessary reasons, modify any of the details or specifications of the product described in this brochure. Illustrations do not necessarily show products in standard conditions. The dimensions, weights and capacities shown herein, as well as any conversion data used, are approximate only and are subject to variations within normal manufacturing techniques.

Published by NEW HOLLAND KOBELCO CONSTRUCTION MACHINERY S.p.A.
Printed in Italy - MediaCross Firenze - Cod 30678GB - Printed 11/12

Printed on recycled paper
CoC-FSC 000010 CQ Mixed sources



ELEMENTAL
CHLORINE
FREE
GUARANTEED



www.newholland.com

