

E55_{BSR}



- ▶ HEAVY EXCAVATOR TECHNOLOGY IN AN ULTRA COMPACT MACHINE
- ▶ SMART HYDRAULIC SYSTEM: EASY SIMULTANEOUS MOVEMENTS
- ▶ MORE PRECISION AT WORK WITH STANDARD PROPORTIONAL CONTROL
- ▶ LONG SERVICE LIFE: HIGH RELIABILITY AND DURABILITY



BUILT AROUND YOU

SPECIFICATIONS AND DIMENSIONS



ENGINE

Displacement.....	2.189 cm ³
Power.....	43 hp
Max torque.....	139,3 Nm
Emissions level.....	Tier IV Interim



HYDRAULIC SYSTEM

Variable displacement pumps type.....	axial piston
Flow delivery.....	2 x 57, l /min
Gear pump delivery.....	33,8 l/min
Maximum operating pressure.....	230 bar



SLEWING AND TRAVEL SPEED

Slewing speed.....	8,8 rpm
Boom slewing angle (left/right).....	70° / 60°
Travel Speed - Low (1st).....	2,8 km/h
Travel Speed - High (2nd).....	4,6 km/h



I - Track width	mm	400
J - Undercarriage length	mm	2.910
K - Track length on ground	mm	2.480
M - Center distance of tumblers	mm	1.970
N - Blade radius on ground	mm	1.690
X - Blade max lifting	mm	495
Y - Blade max lowering	mm	375
B - Blade width	mm	1.960
E - Blade height	mm	345

DIGGING PERFORMANCE

Dipperstick	mm	1.870
Bucket thickness	mm	700
G - Max digging depth	mm	3.900
Bucket Breakout force	kN	35,3
Dipperstick Breakout force	kN	23,6
A - Min front slew radius	mm	2.580
C - Max reach	mm	6.190
D - Max dump height	mm	3.840
F - Max digging height	mm	5.380

OPERATING WEIGHT

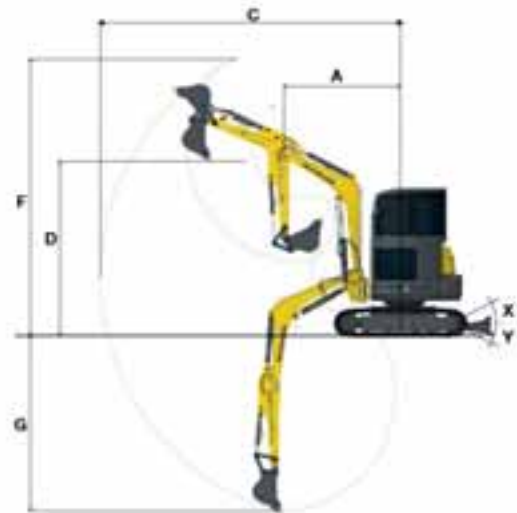
(includes operator, full fuel tank and one bucket)

Cab	tonnes	5,30
-----	--------	------

TRANSPORT FEATURE

(weight is with full fuel tank, without operator, without bucket)

Weight	tonnes	5,11
B - Max width	mm	1.960
L - Max length	mm	5.370
H - Max height	mm	2.600



HIGH LIFTING CAPACITY

Front and side lifting capacity at 2 and 3 meters from swing center.

Lifting capacity in tonnes	2.0 m		3.0 m	
	FRONT	SIDE	FRONT	SIDE
DEPTH LEVEL				
1 m above ground	1,8	1,8	1,8	1,8
Ground level	1,9	1,9	2,3	1,1
1 m below ground	2,9	2,2	2,4	1,1
2 m below ground	3,7	2,2	2,1	1,1

NOTE: the dimensions, weights and capacities shown herein, as well as any conversion data used, are approximate only and are subject to variations within normal manufacturing techniques

AT YOUR OWN DEALERSHIP

The information contained in this brochure is intended to be of general nature only. The NEW HOLLAND KOBELCO CONSTRUCTION MACHINERY S.p.A. company may at any time and from time to time, for technical or other necessary reasons, modify any of the details or specifications of the product described in this brochure. Illustrations do not necessarily show products in standard conditions. The dimensions, weights and capacities shown herein, as well as any conversion data used, are approximate only and are subject to variations within normal manufacturing techniques.

Published by NEW HOLLAND KOBELCO CONSTRUCTION MACHINERY S.p.A.
Printed in Italy - MediaCross Firenze - Cod 30660GB - Printed 03/12

Printed on recycled paper
CoC-FSC 000010 CQ Mixed sources



www.newholland.com

